

LOAD SPECIFICATIONS		Diameter of wheels: 840 mm	Diameter of wheels: 908 mm	±
Platform				
- Maximum capacity of basket	kg (lbs)	230 (507)		-
- Maximum wind speed when operating outside	km/h	45		-
- Number of people in the basket in indoor use		2		-
- Number of people in the basket in outdoor use		2		-
- Unladen platform weight	kg (lbs)	6,118 (13,488)	6,380 (14,065)	2%
- Authorised maximum tilt	°	5		0.1%
- Traversable slope (+100 kg)	%	45		2%
- Maximum authorised lateral manual force	N	400		-
Wheels				
- Load on one front wheel (transport position)	kg (lbs)	1,465 (3,230)	1,540 (3,395)	2%
- Load on one rear wheel (transport position)	kg (lbs)	1,615 (3,560)	1,690 (3,726)	2%
- Maximum load on one wheel (working position)	kg (lbs)	3,740 (8,245)	3,910 (8,620)	2%
- Bearing surface on ground (hard / soft)	cm ²	344 / 728	482 / 980	5%
- Ground bearing pressure (hard / loose)	daN/cm ²	11.6 / 5.5	8.3 / 4.1	5%
SPEEDS AND MOVEMENTS				
		Diameter of wheels: 840 mm	Diameter of wheels: 908 mm	±
Driving speed				
- WORKING POSITION speed	km/h	1		0.1
- TORTOISE speed	km/h	2.5		0.5
- RAMP speed	km/h	2.5		0.2
- HARE speed	km/h	5	5.5	0.2
Main jib (telescope extended)				
- Unladen / laden lifting	s	20 / 20		1
- Unladen / laden lowering	s	18 / 18		1
Main jib (telescope retracted)				
- Unladen / laden lifting	s	14 / 14		2
- Unladen / laden lowering	s	14 / 14		2
Secondary jib				
- Unladen / laden lifting	s	22 / 22		1
- Unladen / laden lowering	s	28.5 / 28.5		2.5
Telescope				
- Unladen / laden extension	s	9 / 9		1
- Unladen / laden retraction	s	9 / 9		1
Jib				
- Unladen / laden lifting	s	20 / 20		1
- Unladen / laden lowering	s	18 / 18		1
Turntable				
- 350° rotation (telescope extended/retracted)	s	90 / 70		5
Basket				
- Left / right rotation	s	13 / 13		2

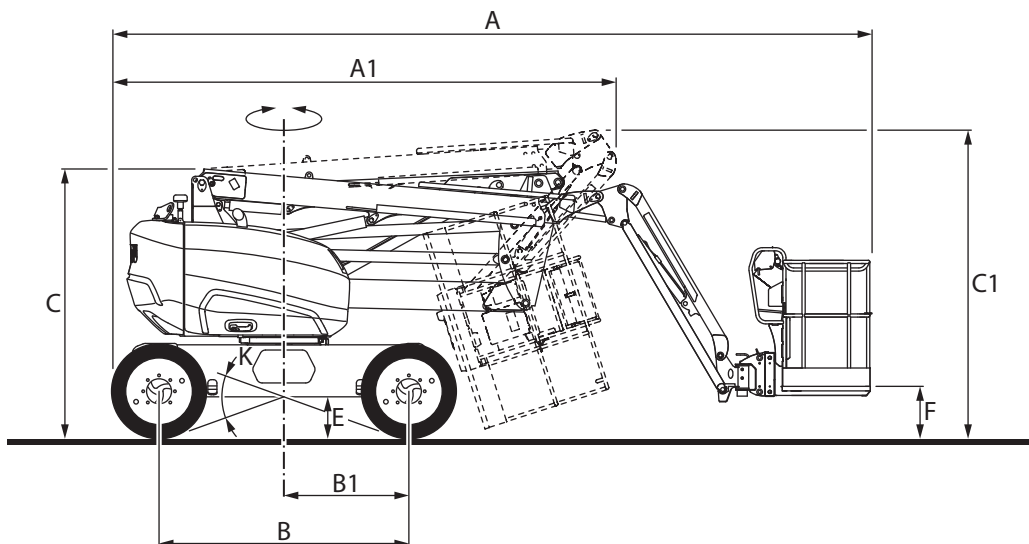
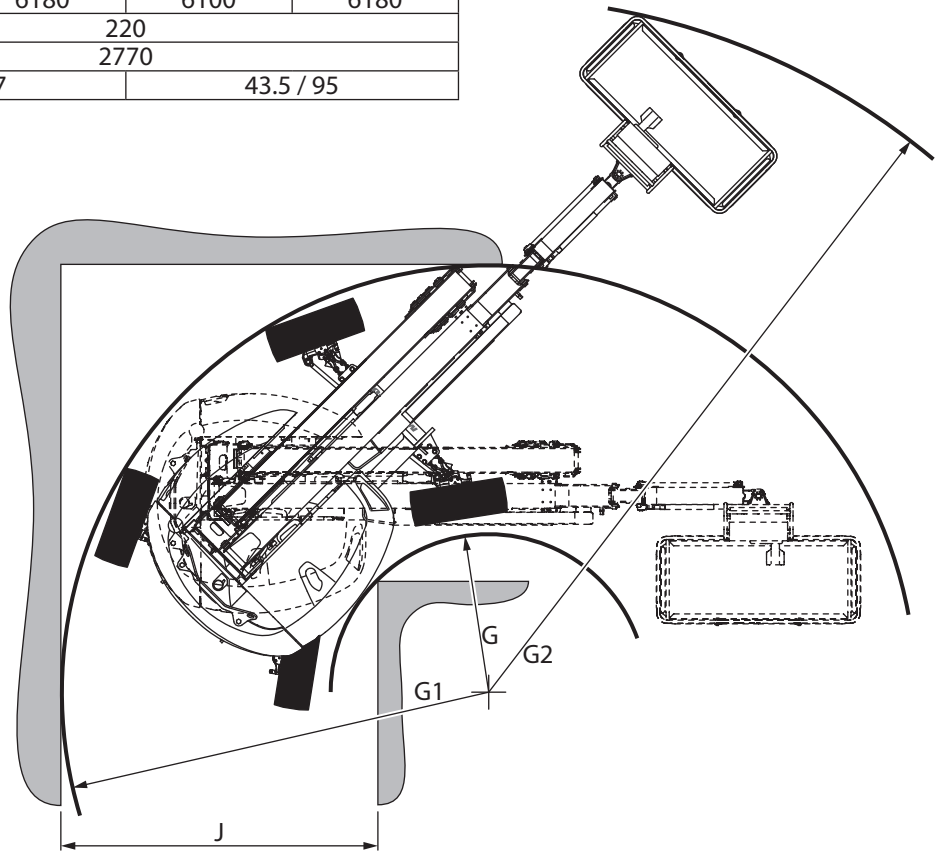
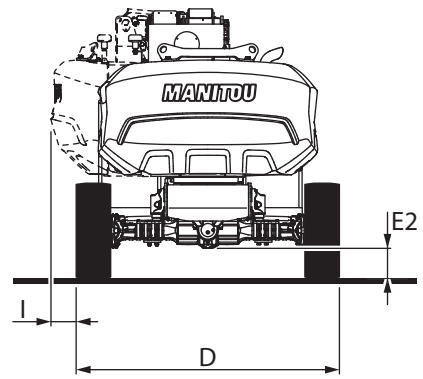
ENGINE		Diameter of wheels: 840 mm	Diameter of wheels: 908 mm	±
Type		KUBOTA D1105-E4B		-
Fuel		Diesel		-
Number of cylinders		3		-
Cubic capacity	cm ³	1123		-
Idling speed unladen	rpm	1300		20
Maximum speed unladen	rpm	3000		40
Power at 3,000 rpm	kW	18.5		-
Maximum torque at 2,300 rpm	N.m	72		-
Unladen weight	kg (lbs)	93 (205)		5 (11)
Type of cooling		Water		-
Fan		Puller		-
Emissions				
- CO (carbon monoxide)	g/kWh	1.4		-
- HC + Nox (hydrocarbons + nitrogen dioxide)	g/kWh	5.8		-
- PT (particles)	g/kWh	0.21		-
TRANSMISSION				
		Diameter of wheels: 840 mm	Diameter of wheels: 908 mm	±
Hydrostatic pump				
- Type		BOSCH REXROTH A10VG45		-
- Cubic capacity	cm ³	46		-
- Maximum unladen flow rate	L/min	115		-
- Maximum pressure	bar	340		-
Hydrostatic motor				
- Type		BOSCH REXROTH		-
- Cubic capacity	cm ³	63		-
Axles				
- Type		DANA SPICER		-
- Reduction ratio		55.9		-
- Pulling force	daN	3890	3540	-
- Front axle differential		45% limited slip		-
- Rear axle differential		Hydraulic locking 100%		-
Number of front / rear steerable wheels		2 / 2		-
Number of front / rear drive wheels		2 / 2		-
Wheels				
- Type		OTR		-
- Dimensions (external Ø x width)	mm	Standard: 840 x 295	Option: 908 x 370	-
- Inflation		Foam		-
BRAKE SYSTEM (parking brake)				
		Diameter of wheels: 840 mm	Diameter of wheels: 908 mm	±
Type of brake		Negative		-
Type of control		Hydraulics		-
Braked wheels front / rear		0 / 2		-
Release (freewheel mode)		Yes, manual		-
Braking torque	daN.m	1,600 on wheel		5%

HYDRAULIC CIRCUIT		Diameter of wheels: 840 mm	Diameter of wheels: 908 mm	±
Auxiliary hydraulic pump				
- Type		BOSCH REXROTH		-
- Maximum cylinder capacity	cm ³	18		-
- Maximum unladen flow rate	L/min	54		-
Distributor				
- Type		DANFOSS		-
- Maximum pressure	bar	210		5
Filtration				
- Suction	µm	125		-
- Pressure	µm	10		-
- Operation	µm	10		-
ELECTRIC CIRCUIT				
ELECTRIC CIRCUIT		Diameter of wheels: 840 mm	Diameter of wheels: 908 mm	±
Battery				
- Type		EXIDE		-
- Capacity C5	Ah	110		-
- Capacity C20	Ah	-		-
- Rated voltage	V	12		-
Alternator				
- Type		SUMITOMO		-
- Maximum current	A	60		-
- Rated voltage	V	12		-
Starter				
- Type		Electric		-
- Power	kW	2		-
- Voltage	V	12		-
BACKUP PUMP				
BACKUP PUMP		Diameter of wheels: 840 mm	Diameter of wheels: 908 mm	±
- Type		Electric		-
- Cubic capacity	cm ³	2		-
- Power	kW	1.3		-
- Voltage	V	12		-
- Pressure 150 bars	A	-		-
DIMENSIONS				
DIMENSIONS		Diameter of wheels: 840 mm	Diameter of wheels: 908 mm	±
Standard basket				
- External dimensions (length x width)	mm	1,800 x 800		1%
- Floor dimensions (length x width)	mm	1,790 x 760		1%
- Rotation angle right/left	°	90 / 90		1%
Wide basket (option)				
- External dimensions (length x width)	mm	2,100 x 800		1%
- Floor dimensions (length x width)	mm	2,090 x 760		1%
- Rotation angle right/left	°	90 / 90		1%
Jib displacement angle up/down	°	65 / 59.5		1%
160 ATJ RNC... : Turntable rotation angle	°	350		1%
160 ATJ RC... : Turntable rotation angle	°	Continuous rotation		-
Other dimensions: DIMENSIONS AND DIAGRAM 160 ATJ...				

SOUND AND VIBRATION		Diameter of wheels: 840 mm	Diameter of wheels: 908 mm	±
Sound power level LwA	dB	105		-
Vibrations affecting body in the basket				
- Average quadratic values for the body	m/s ²	<0.5		-
EQUIPMENT		Diameter of wheels: 840 mm	Diameter of wheels: 908 mm	±
Orange rotating beacon light		Standard		-
Hour meter		Standard		-
Proportional diesel level display		Standard		-
Fuel/battery low level alarm		Standard		-
Tool box in basket		Standard		-
User interface (diagnostic aid)		Standard		-
Wide basket		Option		-
Oscillating front axle		Option		-
Non-marking tyres		Option	Option	-
Permanent orange rotating beacon light		Option*		-
All movements alarm		Option*		-
Driving/steering alarm		Option*		-
Key-locked fuel tank cap		Option		-
Battery cut-off		Option		-
230 V outlet in basket		Option		-
Engine block heater		Option		-
Generator 110 V/3.5 kW (UK electric power socket)		Option		-
Generator 220 V/3.5 kW		Option		-
Generator 220 V/5 kW		Option		-
Working light		Option		-
Secondary protection system "SafeManSystem"		Option		-
Automatic retraction of telescope (for option "SafeManSystem")		Option*		-
Driving direction "Drive Enable"		Option		-
*: DEFINITION OF SUB-MENUS.				

DIMENSIONS AND DIAGRAM 160 ATJ...

		Diameter of wheels: 840 mm		Diameter of wheels: 908 mm	
		Standard basket	Wide basket	Standard basket	Wide basket
A	mm	6680		6720	
A1	mm	4445	4490	4485	4530
B	mm	2200			
B1	mm	1100			
C	mm	2370		2410	
C1	mm	2630	2830	2690	2810
D	mm	2320			
E	mm	360		400	
E2	mm	260		300	
F	mm	450		495	
G	mm	1380			
G1	mm	3750			
G2	mm	6100	6180	6100	6180
I	mm	220			
J	mm	2770			
K	° / %	37.6 / 77		43.5 / 95	



		Diameter of wheels: 840 mm		Diameter of wheels: 908 mm		Diameter of wheels: 840 mm		Diameter of wheels: 908 mm	
H1	mm	7510		7550		S1	mm	7366	
D1	mm	7795						7406	
H2	mm	14015		14055					
D2	mm	2905							
H3	mm	12475		12515		S3	mm	12334	
D3	mm	3890						12374	
H4	mm	295		335					
D4	mm	6980							

